

In an effort to assist competitors experiencing issues with Driver ID systems, please see the relevant section of this document as it pertains to devices used in each competitor car.

1. TABLE OF CONTENTS

2.	TRANSPONDER AND DRIVER ID TESTING	2
3.	MOTEC RACEGRADE HELMET HARNESS	2
4.	TR2 TRANSPONDER WITH HELMET PLUG/ROTARY SWITCH.....	2
5.	TR2 TRANSPONDER WITH DUAL-PORT X2 DRIVER ID MODULE.....	3
6.	BLUE PRO DPI (TRANX) AND ORIGINAL RED UNITS	4
7.	X2 CLUB / X2 PRO / X2 PLUS	5
8.	MYLAPS X2 DRIVER ID MODULE DUAL-PORT	6
9.	MYLAPS ONLINE HELP LIBRARY	6

2. TRANSPONDER AND DRIVER ID TESTING

The lead scrutineers for the GT3 and GT4 scale pads will have access to a MyLaps device tester capable of determining:

- Transponder Serial Number
- RSSI of transponder
- Driver ID (**Note, if using MoTeC RaceGrade helmet harness to change Driver ID, both helmets must be present for testing**)

3. MOTEC RACEGRADE HELMET HARNESS

For those competitors that are using a helmet harness with resistors, you must request diagnostic support from:

- Chad at Racing Radios (chad@racingradios.com)
- MoTeC (SRO.Support@motec.com)

4. TR2 TRANSPONDER WITH HELMET PLUG/ROTARY SWITCH

It is critical that you read and understand the manuals for proper configuration and troubleshooting of the transponder and Driver ID selection system. The full manual is available on the Teams website.

The TR2 transponders operate in analog and receive a resistance value from a helmet plug, rotary switch or the analog port of the dual-port X2 Driver ID panel. The transponders feature a LED which blinks according to the Driver ID resistance value received for easy verification.

TR2 Transponder Pinout:

Connector: 4 Pin M8 Sensor Cable

Pin 1: 12v / Brown

Pin 2: Resistance Out / White

Pin 3: Ground / Blue

Pin 4: Black

Driver ID Resistance Values

ID 1: 0 Ω

ID 2: 820 Ω

ID 3: 2k2 Ω

ID 4: 4k7 Ω

ID 5: 12k Ω

How to test your hardware:

These transponders have a LED that will blink the number of the Driver ID.

As you change the resistance value to the transponder, the LED will blink the Driver ID number.

Conveniently for testing, Driver ID 1 is 0 Ω or no resistor inline. Simply connect the Resistance Out and Ground wires together.

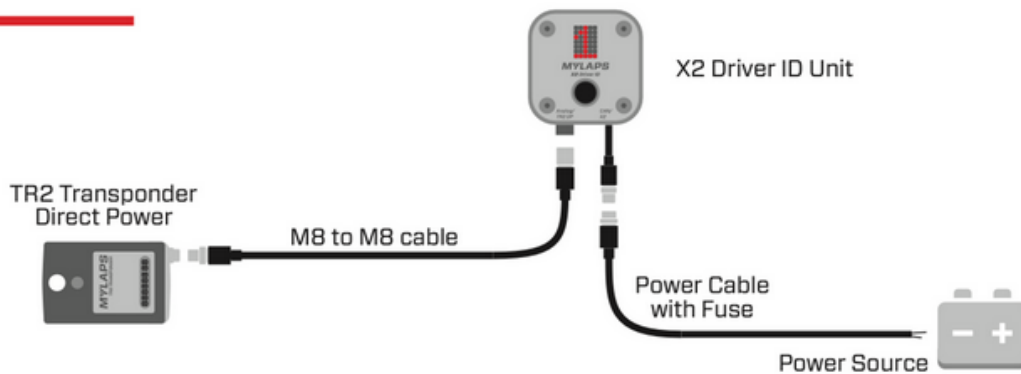
Further support available via support@mylaps.com

5. TR2 TRANSPONDER WITH DUAL-PORT X2 DRIVER ID MODULE

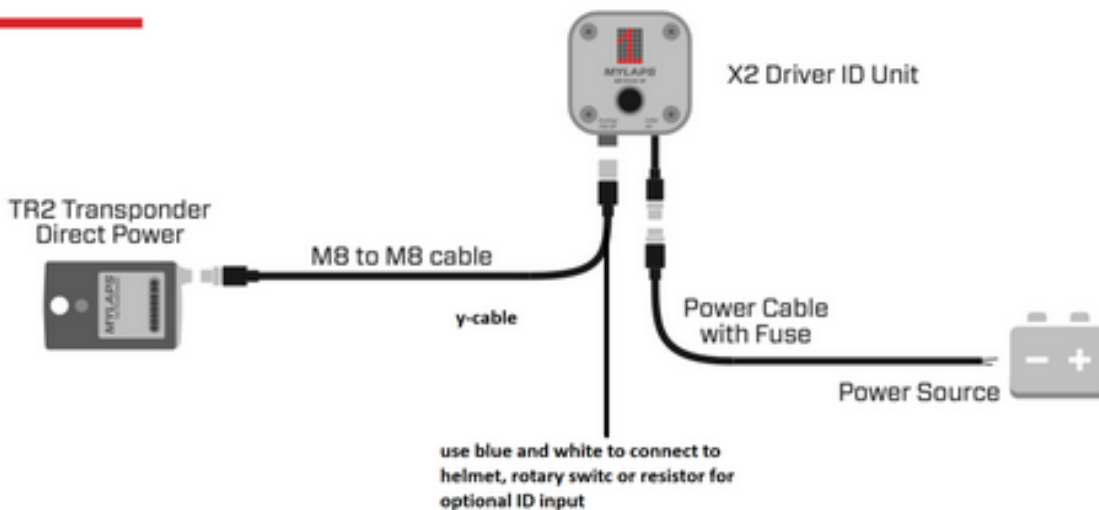
It is critical that you read and understand the manuals for proper configuration and troubleshooting of the single and dual port X2 Driver ID module. The full manual is available on the Teams website.

The TR2 transponder only communicates in analog and cannot communicate in CAN. For this reason, ensure that the transponder is connected to the Analog/TR2 DP labelled port and not the CAN/X2 labeled port. There is an older single-port version of the X2 Driver ID module that only outputs in CAN and will not work with this line of transponders.

**SETUP FOR TR2 TRANSPONDER
DIRECT POWER**



Note: It is possible to use a helmet plug harness or rotary switch in conjunction with TR2 transponders and the X2 Driver ID Module. The module must be in the “M” mode and requires the use of the Blue and White wires in the y-cable harness.



6. BLUE PRO DPI (TRANX) AND ORIGINAL RED UNITS

It is critical that you read and understand the manuals for proper configuration and troubleshooting of the single and dual port X2 Driver ID module. The full manual is available on the Teams website.

The TranX Pro DPi and original red transponders operate in analog and receive a resistance value from a helmet plug, rotary switch or the analog port of the dual-port X2 Driver ID panel. The transponders feature a LED which blinks according to the Driver ID resistance value received for easy verification.

Pro DPi Transponder Pinout:

Connector: 5 Pin Deutsch Autosport ASL106-05PN-HE

Pin 1: 12v

Pin 2: Ground

Pin 3: Not Connected

Pin 4: Not Connected

Pin 5: Driver ID Input

How to test your hardware:

These transponders have a LED that will blink the number of the Driver ID.

As you change the resistance value to the transponder, the LED will blink the Driver ID number.

Conveniently for testing, Driver ID 0 and 1 are 0 Ω or no resistor inline. Simply connect the Resistance Out and Ground wires together.

Driver ID Resistance Values

ID 0: 0 Ω

ID 1: Short Circuit (0 Ω)

ID 2: 820 Ω

ID 3: 2k2 Ω

ID 4: 4k7 Ω

ID 5: 12k Ω

Further support available via support@mylaps.com

7. X2 CLUB / X2 PRO / X2 PLUS

It is critical that you read and understand the manuals for proper configuration and troubleshooting of the dual-port X2 Driver ID module. The full manual is available on the Teams website.

The X2 Club, X2 Pro and X2 Plus transponders can only be used with CAN Driver ID inputs.

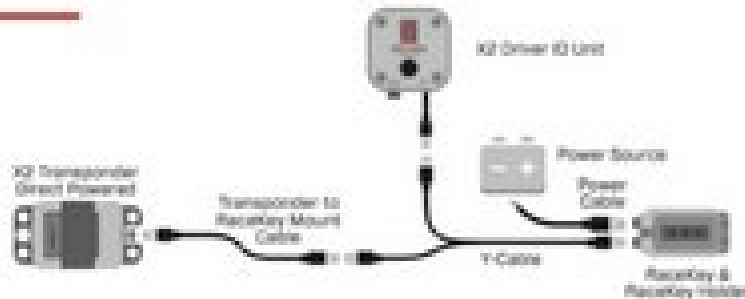
This limits the Driver ID devices to the following:

- X2 Driver ID Dual Port Module
- MoTeC RaceGrade modules for helmet resistors

Rotary switches and other analog resistance-based devices will not operate correctly with the X2 family of transponders.

Important: Ensure your transponder is connected to the CAN/X2 port of the dual port Driver ID module.

SETUP FOR X2 TRANSPONDER DIRECT POWER



SETUP FOR X2 PRO TRANSPONDER



8. MYLAPS X2 DRIVER ID MODULE DUAL-PORT

The X2 Driver ID module can support both analog and CAN based driver ID transponders. It can also incorporate an analog helmet resistor harness or rotary switch as detailed below.

ANALOG AND DIGITAL USE

- ▶ The X2 Driver ID supports both Analog and Digital Driver ID solutions simultaneously
- ▶ To support Analog ID's, driver ID 0 is added. Driver ID 0 means no Analog driver ID plug is connected to the driver ID switch
- ▶ When an Analog Driver ID plug or rotary switch is connected to the X2 Driver ID, the button on the X2 Driver ID unit is disabled
- ▶ When no Driver ID plug or rotary switch is connected, the button on the X2 Driver ID unit is enabled and can be used to select the correct driver

9. MYLAPS ONLINE HELP LIBRARY

Additional information is available from the online Help Library available at: https://help.mylaps.com/s/download-transponders?language=en_US

Even further assistance is available via : support@mylaps.com